



SUBMITTAL

TXA-SERIES

THERMAL EXPANSION TANKS

Models: TXA-35 thru TXA-2000

Submittal Sheet No. TXA-2016A

Date: 4/20

Job Name _____	Submitted By _____	Date _____
Location _____	Approved By _____	Date _____
_____	Order No. _____	Date _____
Engineer _____	Notes _____	
Contractor _____	_____	
Sales Rep. _____	_____	

Description

AA tanks type TXA tanks are ASME replaceable bladder type pre-charged thermal expansion tanks for commercial and industrial potable hot water applications. They are designed to be installed between a backflow preventer and a hot water heater so it can accept the expanded volume of hot water and keep the system pressure below the relief valve setting. The water is contained in a butyl bladder. All TXA expansion tanks can be installed vertically or horizontally.

Construction

Shell: Carbon Steel
 (Available in 304 / 316 Stainless Steel)
 Bladder: Heavy Duty Butyl
 (NSF Listed / FDA Approved Materials)
 System Connection: Stainless Steel

Performance Limitations

Maximum Design Temperature: 240°F
 Maximum Design Pressure: 150 PSIG*
 *200 & 250 PSIG available



Listed Materials

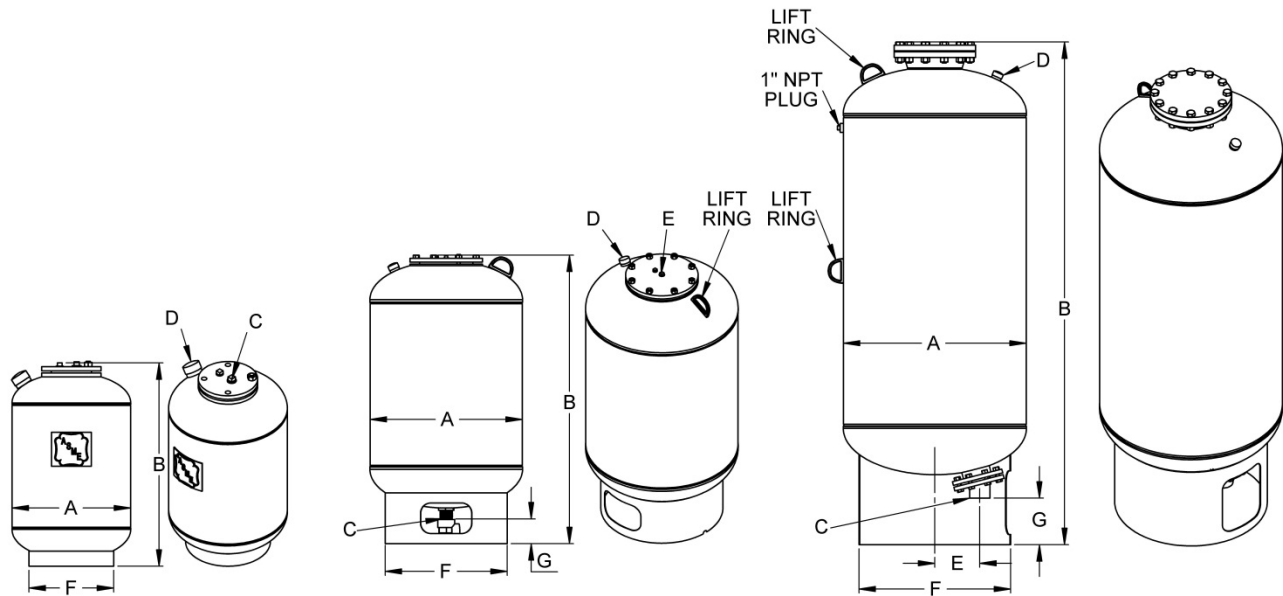
Model Number	Part Number	Tank Volume (Gallons)	Tagging Information	Quantity
TXA-35	20010035	10		
TXA-50	20010050	13		
TXA-85	20010085	23		
TXA-130	20010130	35		
TXA-200	20010200	53		
TXA-300	20010300	79		
TXA-400	20010400	106		
TXA-500	20010500	132		
TXA-600	20010600	158		
TXA-800L	20010805	211		
TXA-1000	20011000	264		
TXA-1200	20011200	317		
TXA-1400	20011400	370		
TXA-1600	20011600	422		
TXA-2000	20012000	528		

Typical Specification

Furnish and install, as shown on plans, a _____gallon _____" diameter X _____" (high) pre-charged steel thermal expansion tank with replaceable FDA approved butyl bladder. The tank shall have a bottom NPT stainless steel system connection and a 0.302"-32 charging valve connection (standard tire valve) to facilitate the on-site charging of the tank to meet system requirements. The tank shall be fitted with lifting rings and a floor mounting skirt for vertical installation. The tank must be constructed in accordance with most recent addendum of Section VIII Division 1 of the ASME Boiler and Pressure Vessel Code and stamped 150 psi working pressure.

Each tank shall be AA tanks model number TXA-_____ or approved equal.

25110 THOMAS DR • WARREN, MI 48091 • (586) 427-7700 • (586) 427-7895 FAX • www.aatanks.com



TXA-35 & TXA-50

TXA-85 thru TXA-800L

TXA-1000 thru TXA-2000

Dimensions & Weights

Model Number	Dimensions in Inches							Approx. Ship Wt. (lbs)					
	A	B	System Connection	Charging Valve	E	F	G						
TXA-35	12	23 1/2	3/4	0.302" - 32NC	-	10	-	40					
TXA-50	14	24				10							
TXA-85	16	37	1			12	5 1/4		90				
TXA-130	20					16							
TXA-200	24	43	1 1/2			20				220			
TXA-300		55											
TXA-400	30	49	2			24					315		
TXA-500		57											
TXA-600	32	65	3			28						4 3/4	378
TXA-800L		76											503
TXA-1000	36	86 1/2	3	8	30	8		795					
TXA-1200		98 1/2						820					
TXA-1400	48	110 1/2	3	9	42	9	980						
TXA-1600		84					1395						
TXA-2000		96					1525						

Notes

- Tanks are factory pre-charged at 40 psi and field adjustable.
- California code-sight glass is available upon request.
- Available with mounting clips.